

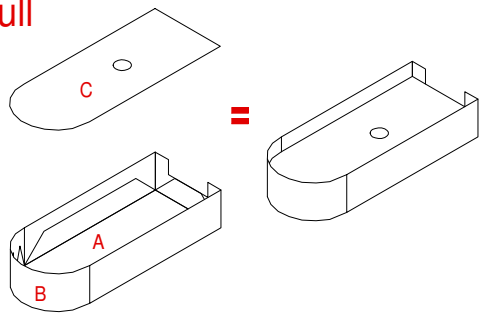
Masts & Yards

Bigchukka 1

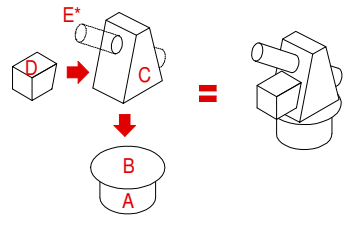
Bigchukka 2

Bigchukka 3

Hull

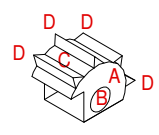


Catapult

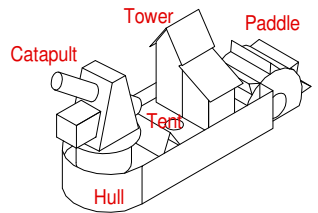


* Use a piece of toothpick or thin balsa wood for the catapult arm.

Paddle



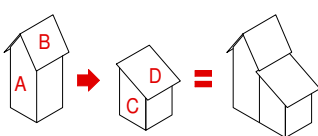
Assembly



Tent



Tower



Crow's Nest

